

IBO / OBO **Mesh Belt Drying Ovens**

for coated, lacquered, decorated or varnished 2- or 3-piece cans



- Inside Baking Oven (IBO)
- Outside Baking Oven (OBO)
heated zone up to 20 meters and more,
by adaptation of additional oven moduls

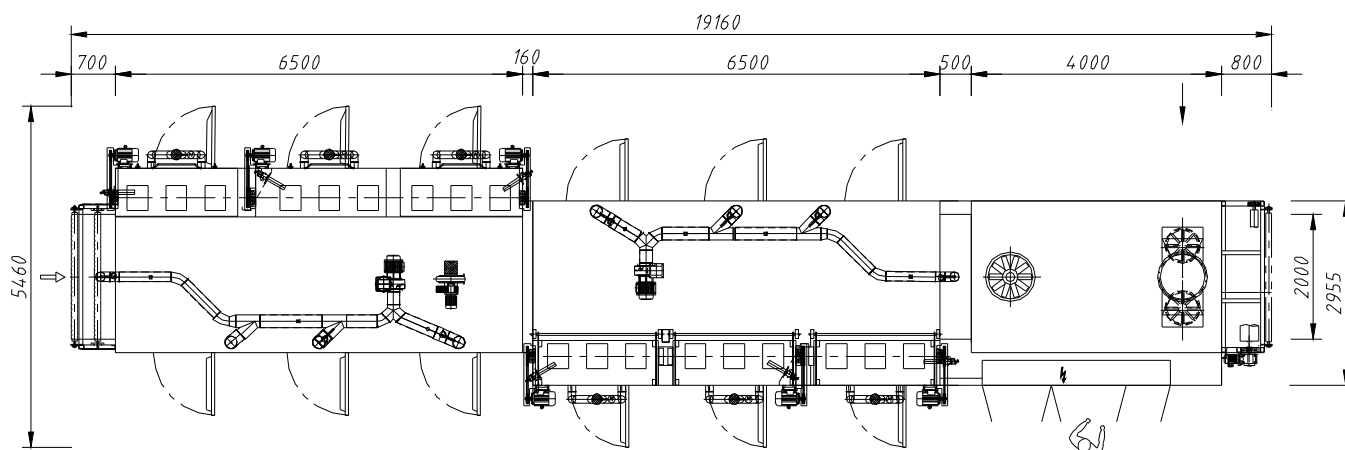
We can offer here our IBO's / OBO's on base of our successful mesh belt drying ovens type DBO which we sold more than 90 times for drying the compound in caps and closures and also for the drying of the lacquer inside of beverage cans / barrels.

Because of smooth air stream by homogeneous air circulation:

- safe position at safe distance between the cans standing on the mesh belt
- and by controlled exhaust air system garantized Condensation Free inside the oven!

Mesh belt width differing from the standard width of 2,000 mm is also possible.

DBO 250 / 5-200-1300 G



Reference List – Mesh belt drying ovens / oven moduls, type DBO 250/ -200-650

Customer	Country	Delivery	Customer	Country	Delivery
	LITHUANIA	in Prod.	De Cepeda / Sarten	TURKEY	Dez 2002
Impress	GERMANY	Feb 2008	Amcor White Cap	USA	Okt 2002
Impress	GERMANY	Feb 2008	Schmalbach-Lubeca	POLAND	Mrz 2002
Impress	GERMANY	Feb 2008	DGS	POLAND	Jan 2002
Massilly	FRANCE	Okt 2007	Schmalbach-Lubeca	POLAND	Nov 2000
A. Haar / Tabriz	IRAN	Apr 2007	Schmalbach-Lubeca	GERMANY	Nov 2000
Massilly	FRANCE	Feb 2007	Schmalbach-Lubeca	GERMANY	Okt 2000
Impress	GERMANY	Feb 2007	Schmalbach-Lubeca	GERMANY	Okt 2000
Impress	GERMANY	Feb 2007	Schmalbach-Lubeca	GERMANY	Sep 2000
Metalcaps	SPAIN	Mrz 2005	Amcor White Cap	NETHERLANDS	Apr 1999
Amcor White Cap	GERMANY	Jan 2005	Schmalbach-Lubeca	GERMANY	Jan 1999
Amcor White Cap	POLAND	Nov 2004	Schmalbach-Lubeca	GERMANY	Jan 1999
Amcor White Cap	POLAND	Nov 2004	Schmalbach-Lubeca	GERMANY	Mai 1998
Massilly	FRANCE	Dez 2003	Schmalbach-Lubeca	GERMANY	Mai 1998