

# MESH BELT

Drying Oven

# NEWS

2011/50

## Condensation Free!



### Drying Ovens for Caps and Closures

We can offer here our standard construction lines for a processing speed capacity up to 1,500 CPM.

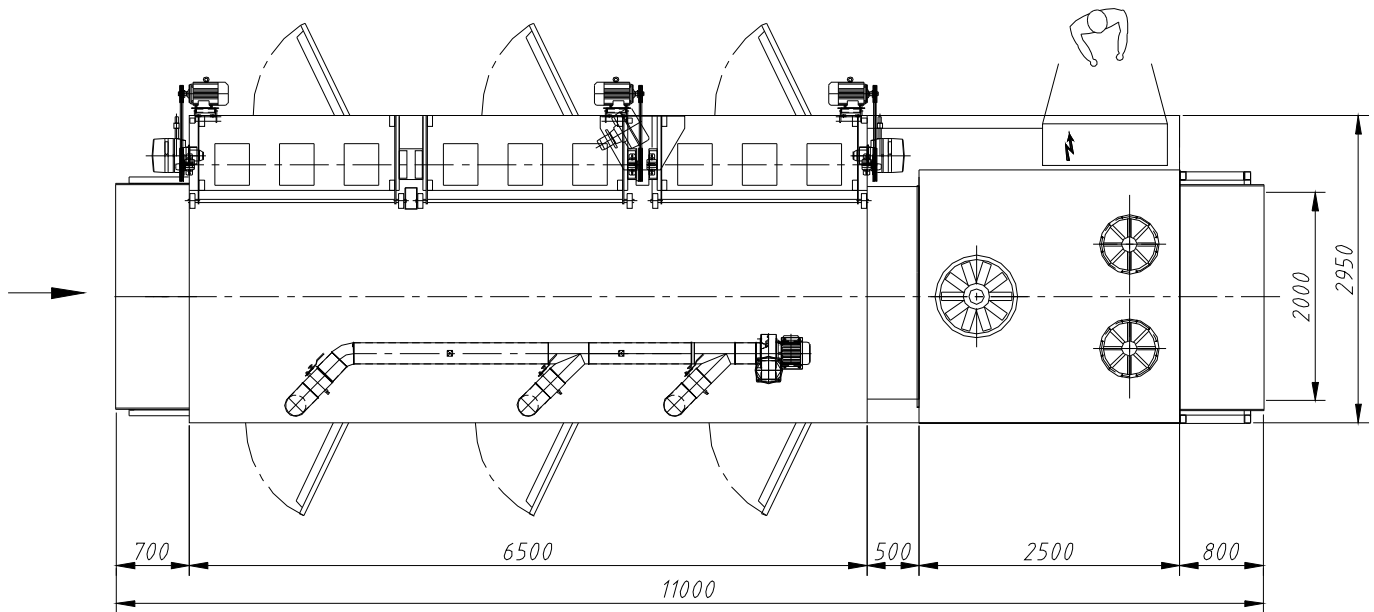
### Condensation Free!

by the homogeneous air circulation in the construction lines starting with a mesh belt width of 1,500 mm.

### Capacity by example

Type	Outside Diameter (OD)			mm
	occupancy rate: 80 % drying time: 100 s			
	<b>38</b>	<b>63</b>	<b>84</b>	
DBO 250 / 5-100-300	1,040	360	200	caps/min
DBO 250 / 5-100-400	1,420	490	270	caps/min
DBO 250 / 5-125-400	1,750	620	340	caps/min
DBO 250 / 5-150-450	2,410	860	470	caps/min
DBO 250 / 5-150-650	3,550	1,260	700	caps/min
DBO 250 / 5-200-450	3,220	1,150	640	caps/min
DBO 250 / 5-200-650	4,740	1,700	940	caps/min
DBO 250 / 5-200-900	6,630	2,380	1,320	caps/min

## DBO 250 / 5-200-650 G



### Reference List

Customer	Country	Delivery	Customer	Country	Delivery
MECA Srl	ITALY	Sep 2011	Obal	CZECH REPUBL	Jan 2007
Massilly	EGYPT	Jul 2011	Dooil Can & Cap	REP. OF KOREA	Nov 2006
AM Systems / Samhwa	REP. OF KOREA	Jul 2011	A.Haar/Prodmash-Upack	RUSSIA	Aug 2006
Sabatier	FRANCE	Jul 2011	JSC Metalmeden.	AZERBAIJAN	Mai 2006
Elmoris	LITHUANIA	Apr 2011	Obal	CZECH REPUBL	Apr 2006
Kindel	GERMANY	Jan 2011	Shetron / Metropak	INDIA	Apr 2006
SARTEN	TURKEY	Apr 2010	A. Haar / ARGO	UKRAINE	Feb 2006
The Egypt. Metal Caps Co.	EGYPT	Feb 2010	Amcor White Cap	ITALY	Feb 2006
Saribekir	TURKEY	Nov 2009	Universal / Evensa	PERU	Jan 2006
FMA	BULGARIA	Aug 2009	Metupak	RUSSIA	Jan 2006
SARTEN	TURKEY	Jun 2009	Metupak	RUSSIA	Dez 2005
OCL	INDIA	Nov 2008	DGS	POLAND	Jun 2005
Cuomo / IMEPA	MACEDONIA	Okt 2008	Naroska / EGYCAP	EGYPT	Apr 2005
Silgan White Cap	PHILIPPINES	Mrz 2008	Sud Capsule	ITALY	Apr 2005
A.Haar/Prodmash-Upack	UKRAINE	Feb 2008	Metalcaps	SPAIN	Mrz 2005
Elmoris	LITHUANIA	Apr 2008	Amcor White Cap	TURKEY	Mrz 2005
Naroska /	ARMENIEN	Feb 2008	Amcor White Cap	GERMANY	Jan 2005
PP "ZIP"	UKRAINE	Feb 2008	Amcor White Cap	POLAND	Nov 2004
PPHU - Helmet	POLAND	Nov 2007	Amcor White Cap	POLAND	Nov 2004
DGS	POLAND	Nov 2007	Naroska / Reef-Glas	SAUDI ARABIA	Jun 2004
Massilly	FRANCE	Okt 2007.	Obal	CZECH REPUBL	Apr 2004
EKA	IRAN	Jul 2007	Amcor White Cap	ITALY	Mrz 2004
The Egyptian Metal	EGYPT	Jul 2007	Massilly	FRANCE	Dez 2003
Tecnocap	SPAIN	Mai 2007	Tecnocap	ITALY	Jan 2003
Impress	GERMANY	Mai 2007	Tecnocap	ITALY	Jan 2003
A. Haar / Tabriz	IRAN	Apr 2007	Tecnocap	ITALY	Dez 2002
A. Haar / Tabriz	IRAN	Apr 2007	De Cepeda / Sarten	TURKEY	Dez 2002
Universal /	UKRAINE	Apr 2007	Schmalbach-Lubeca	TURKEY	Nov 2002
A.Haar/Zaporoshpak	UKRAINE	Apr 2007	Amcor White Cap	USA	Okt 2002
Massilly	FRANCE	Feb 2007	Schmalbach-Lubeca	TURKEY	Jul 2002
Impress	GERMANY	Feb 2007	SUD CAPSULE	ITALY	Mrz 2002

sellacan Industrieofen GmbH  
Daimlerstr. 12  
32791 Lage / Germany

' +49 (0)5232 6990-0  
7 +49 (0)5232 6990-28  
\* [info@sellacan.de](mailto:info@sellacan.de)

Internet: <http://www.sellacan.de>  
Amtsgericht Lemgo HR B 4304  
Geschäftsführer: Dietmar Raupach